



# GLOBAL AUTOMATE SOLUTIONS

Increase Your Shop Floor Efficiency With Us!!!

## POLYIMIDE / NYLON BASE (WITH BOTTOM ANTI-SKID RUBBER)



## SS AND MS LEVELING PADS



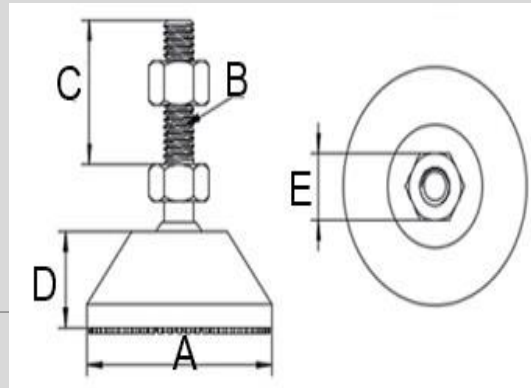
Global Automate Solutions is a Professional Manufacturer & Importer of Levelling Base in Polyamide, MS & SS Material. The company is located in Pune city Maharashtra –India  
The company firmly set up the concept of “quality first, credibility foremost”! Relying on the scientific management method, the company optimizes the supply chain, improves and explores new processing technics, brings in advanced processing equipment, and reduces production cost without compromising the quality of products to really benefit our customers.

**Global Automate Solutions**  
**95/1 Near Swami Samarth temple landgenagar Bhosari Pune**  
**411039**  
**Tel - +917972221755 / 9730382785/ 9850763285**  
**Mail – salesglobalautomate@gmail.com**  
**website - www.globalautomate.in**

# POLYIMIDE / NYLON BASE ( WITH BOTTOM ANTI-SKID RUBBER)



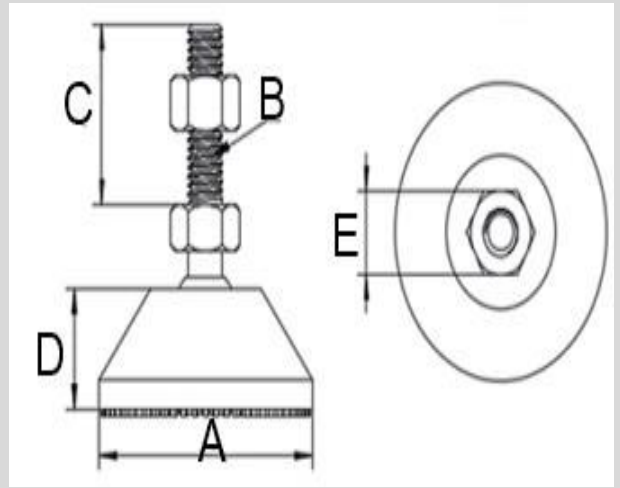
## Polyamide / Nylon Base With Bottom Anti Skid Rubber



Base Fix Type	Size	Product Code	A $\phi$	B	C	D	E $\phi$	Max load / Kg
45	M8x30	GALPM8X30X45	45	M8	30	20	13	50
45	M8x50	GALPM8X50X45		M8	50	20	13	50
45	M10x30	GALPM10X30X45		M10	30	20	13	70
45	M10x50	GALPM10X50X45		M10	50	20	13	70
45	M12x50	GALPM12X50X45		M12	50	20	20	90
45	M12x100	GALPM12X100X45		M12	100	20	20	90

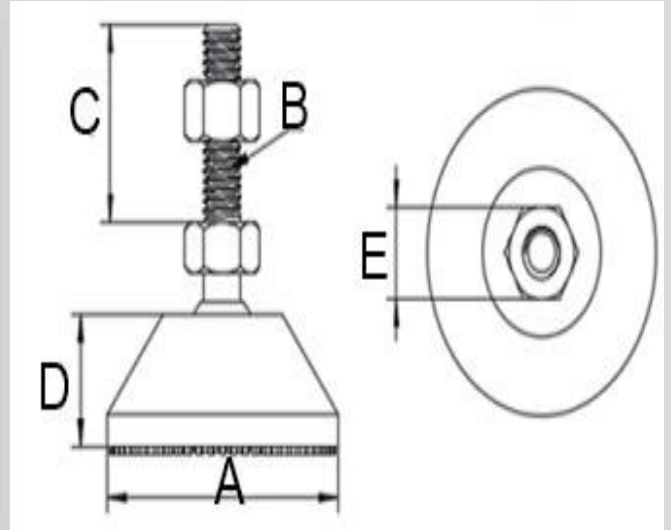
Base Swel Type	Size	Product Code	A $\phi$	B	C	D	E $\phi$	Max load / Kg
40	M6x50	GALPM6X50X50	40	M6	50	20	10	25
60	M8x70	GALPM8X70X60	60	M8	70	25	13	50
60	M8x100	GALPM8X100X60		M8	100	25	13	50
60	M10x70	GALPM10X70X60		M10	70	25	13	85
60	M10x100	GALPM10X100X60		M10	100	25	13	85
60	M10x150	GALPM10X150X60		M10	150	25	13	85
60	M12x70	GALPM12X70X60		M12	70	25	13	130
60	M12x100	GALPM12X100X60		M12	100	25	13	130
60	M12x150	GALPM12X150X60		M12	150	25	13	130
60	M16x70	GALPM16X70X60		M16	70	25	17	150
60	M16x100	GALPM16X100X60		M16	100	25	17	150
60	M16x150	GALPM16X150X60		M16	150	25	17	150
60	M20x100	GALPM20X100X60		M20	100	25	22	200
60	M20x150	GALPM20X150X60		M20	150	25	22	200

**Polyamide / Nylon Base**  
**With Bottom Anti Skid Rubber**



Base Swel Type	Size	Product Code	A φ	B	C	D	E φ	Max load / Kg
80	M8X70	GALPM8X70X80	80	M8	70	29	13	120
80	M8X100	GALPM8X100X80		M8	100	29	13	120
80	M10X70	GALPM10X70X80		M10	70	29	13	150
80	M10X100	GALPM10X100X80		M10	100	29	13	150
80	M10X150	GALPM10X150X80		M12	150	29	13	150
80	M12X70	GALPM12X70X80		M12	70	29	13	180
80	M12X100	GALPM12X100X80		M12	100	29	13	180
80	M12X150	GALPM12X150X80		M12	150	29	13	180
80	M16X70	GALPM16X70X80		M16	70	29	17	200
80	M16X100	GALPM16X100X80		M16	100	29	17	200
80	M16X150	GALPM16X150X80		M16	150	29	17	200
80	M20X100	GALPM20X100X80		M20	100	29	22	220
80	M20X150	GALPM20X150X80		M20	150	29	22	220

**Polyamide / Nylon Base**  
**With Bottom Anti Skid Rubber**



Base Swel Type	Size	Product Code	A φ	B	C	D	E φ	Max load / Kg
100	M16X70	GALPM16X68X100	100	M16	70	26	17	220
100	M16X100	GALPM16X100X100		M16	100	26	17	220
100	M16X150	GALPM16X150X100		M16	150	26	17	220
100	M20X100	GALPM20X100X100		M20	100	29	22	240
100	M20X150	GALPM20X150X100		M20	150	29	22	240
100	M24X150	GALPM24X150X100		M24	150	29	22	260
100	M24X200	GALPM24X200X100		M24	200	29	22	260
100	M24X250	GALPM24X250X100		M24	250	29	22	260
100	M24X300	GALPM24X300X100		M24	300	29	22	260



## SS AND MS LEVELING PADS



# SS/ MS Levelling Base

With Bottom Anti Skid Rubber



Base Swel Type	Size	Product Code
60	M10X75	GALPMM10X75X60
60	M10X100	GALPMM10X100X60
60	M12X75	GALPMM12X75X60
60	M12X100	GALPMM12X100X60
60	M12X125	GALPMM12X125X60
60	M12X150	GALPMM12X150X60
100	M16X100	GALPMM16X100X100
100	M16X150	GALPMM16X150X100
100	M16X200	GALPMM16X200X100
100	M20X150	GALPMM20X150X100
100	M20X200	GALPMM20X200X100
100	M24X200	GALPMM24X200X100

**IT IS AVAILABLE IN BOTH MATERIALS ( SS AND MS )  
LEVELING SOLUTION WITH SIZES ( 32mm, 40mm,  
60mm, 80mm, 100mm )**

# Levelling Base - MALE/FEMALE



Product Code	A	B	C	D	E	Wt in kg
<b>GALPM-660</b>	20	M6	60	14	10	0.032
<b>GALPM-880</b>	25	M8	80	18	13	0.064
<b>GALPM-10100</b>	32	M10	100	22	17	0.13
<b>GALPM-10150</b>	32	M10	150	22	17	0.155
<b>GALPM-12100</b>	40	M12	100	26	19	0.21
<b>GALPM-12150</b>	40	M12	150	26	19	0.255
<b>GALPM-16100</b>	50	M16	100	32	24	0.4
<b>GALPM-16200</b>	50	M16	200	32	24	0.54
<b>GALPM-20100</b>	60	M20	100	42	30	0.74
<b>GALPM-20200</b>	60	M20	200	42	30	0.95
<b>GALPM-24100</b>	60	M24	100	45	36	0.85
<b>GALPM-24200</b>	60	M24	200	45	36	1.145