

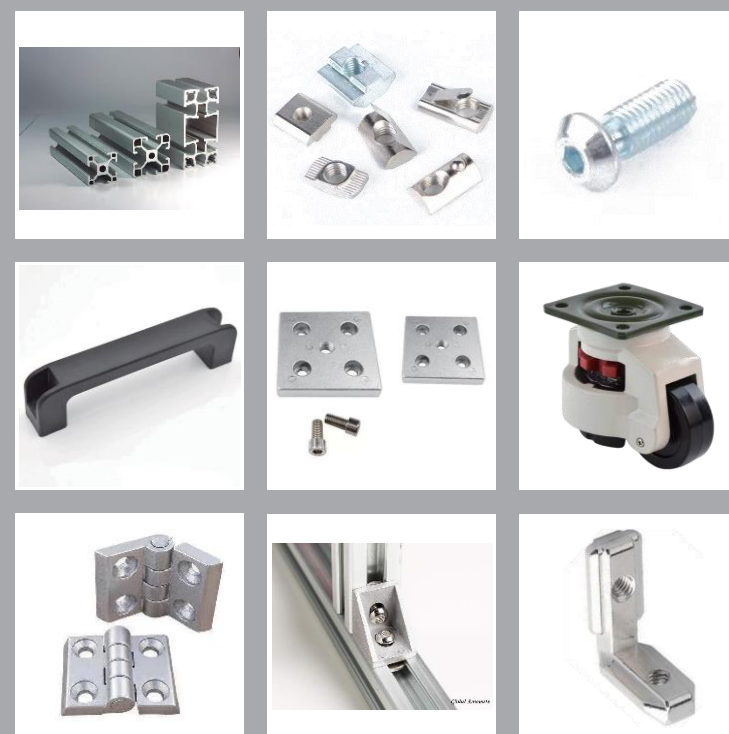


# GLOBAL AUTOMATE SOLUTIONS

Increase Your Shop Floor Efficiency With Us!!!

Global Automate Solutions is a Professional Manufacturer of T Slot Aluminum Profiles & Accessories and Non-standard fasteners. The company is located in Pune city Maharashtra –India

The company firmly set up the concept of “quality first, credibility foremost”! Relying on the scientific management method, the company optimizes the supply chain, improves and explores new processing technics, brings in advanced processing equipment, and reduces production cost without compromising the quality of products to really benefit our customers.



**T SLOT  
ALUMINIUM  
PROFILE &  
ACCESSORIES**

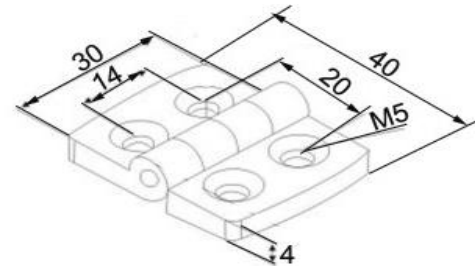
## Contact Us –

**Global Automate Solutions**  
95/1 Near Swami Samarth temple landgenagar Bhosari Pune 411039  
Tel - +917972221755 / 9730382785/ 9850763285  
Mail – salesglobalautomate@gmail.com  
website - www.globalautomate.in

## Polyamide Hinges

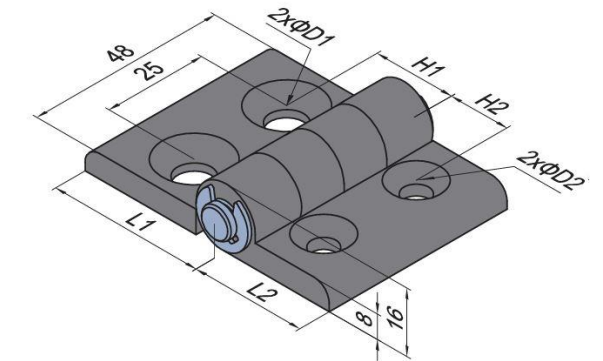
Material: Plastic  
Colour : Black

### GA20 Polyamide Hinges



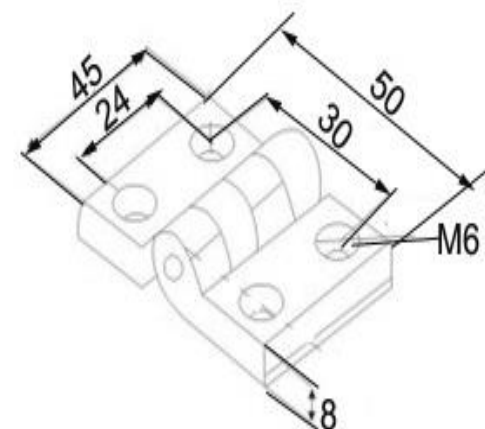
Description	Mass/g	Part No
2020	10.7	GA20PH

### GA3040 Polyamide Hinges



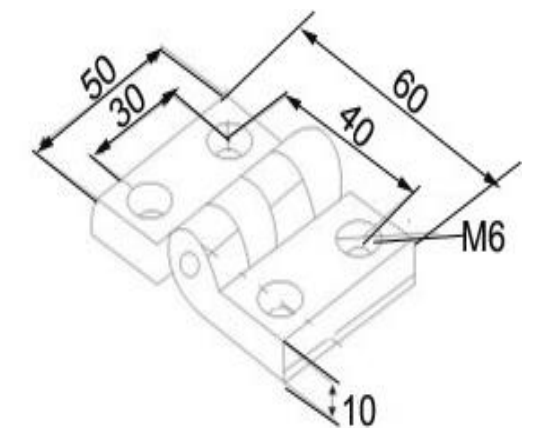
Description	Mass/g	Part No
3040	42	GA3040PH

### GA30 Polyamide Hinges



Description	Mass/g	Part No
3030	39	GA30PH

### GA40 Polyamide Hinges

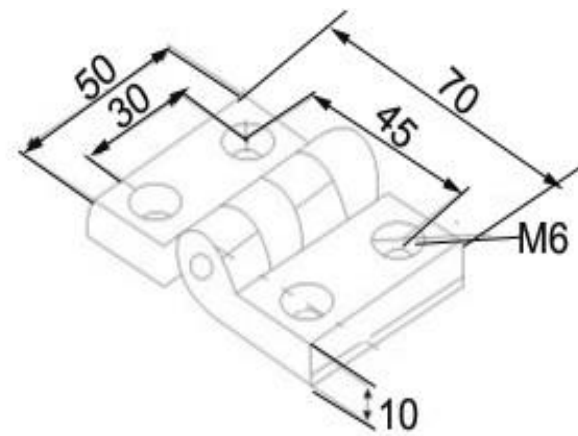


Description	Mass/g	Part No
4040	45	GA40PH

## Polyamide Hinges

Material: Plastic  
Colour : Black

### GA45 Polyamide Hinges

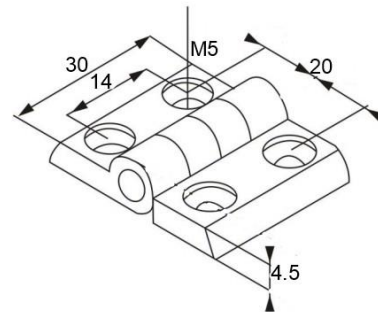


Description	Mass/g	Part No
4545	48	GA45PH

# Zinc Die Cast Hinges

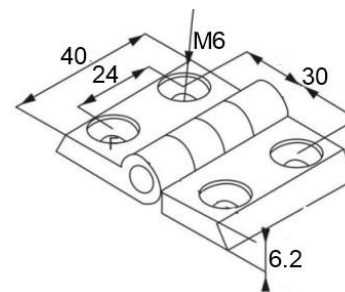
Material: Zinc Alloy  
Colour : Silver/Black

## GA20 Zinc Hinges



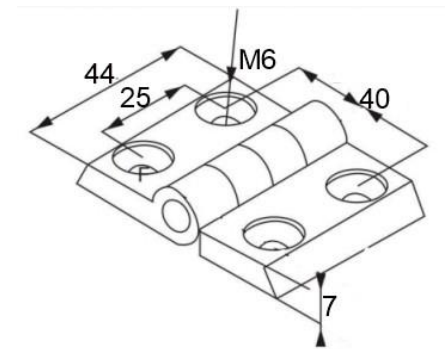
Description	Mass/g	Part No
2020	38	GA20ZH

## GA30 Zinc Hinges



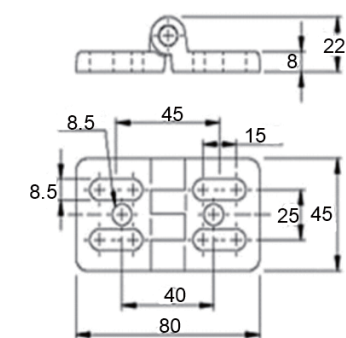
Description	Mass/g	Part No
3030	69	GA30ZH

## GA40 Zinc Hinges



Description	Mass/g	Part No
4040	96	GA40ZH

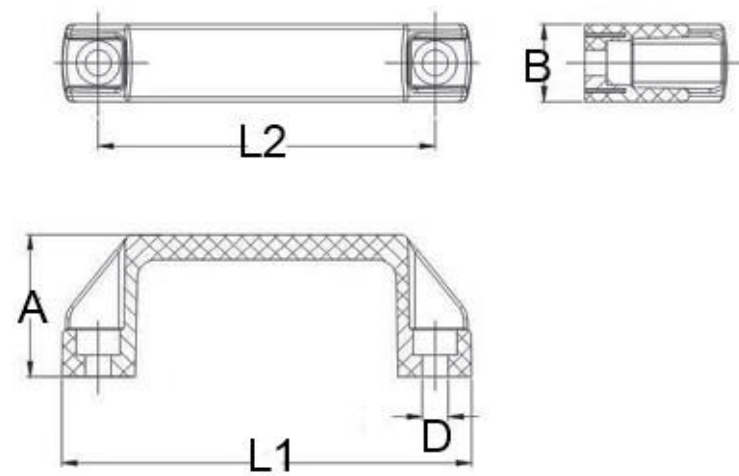
## GA45 Zinc Hinges



Description	Mass/g	Part No
4545	143	GA40ZH

## Polyamide Handle

Material: Polyamide  
Colour : Black



Size	A	B	L1	L2	D	Mass/g	Part No
90	37	20	109	90	6.5	26.3	GAPH90
120	41	25	138	120	8.5	40.1	GAPH120
150	44	28	170	150	8.5	72	GAPH150
180	52	28	200	180	8.5	94.3	GAPH180